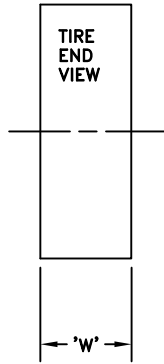
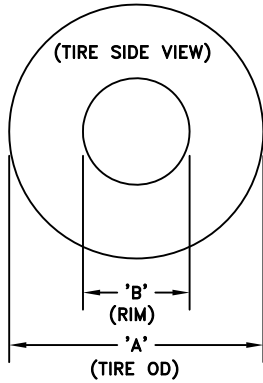


# MOHAWK MP-24 SERIES DATA SHEET:

## TIRE DIMENSIONS

ENTER DIMENSION FOR LARGEST AND SMALLEST TIRES:

	DIM. 'A'	DIM. 'B'	DIM. 'W'	TIRE SIZE
LARGEST				
SMALLEST				



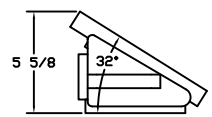
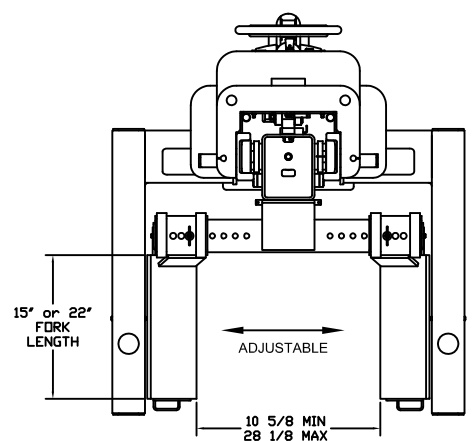
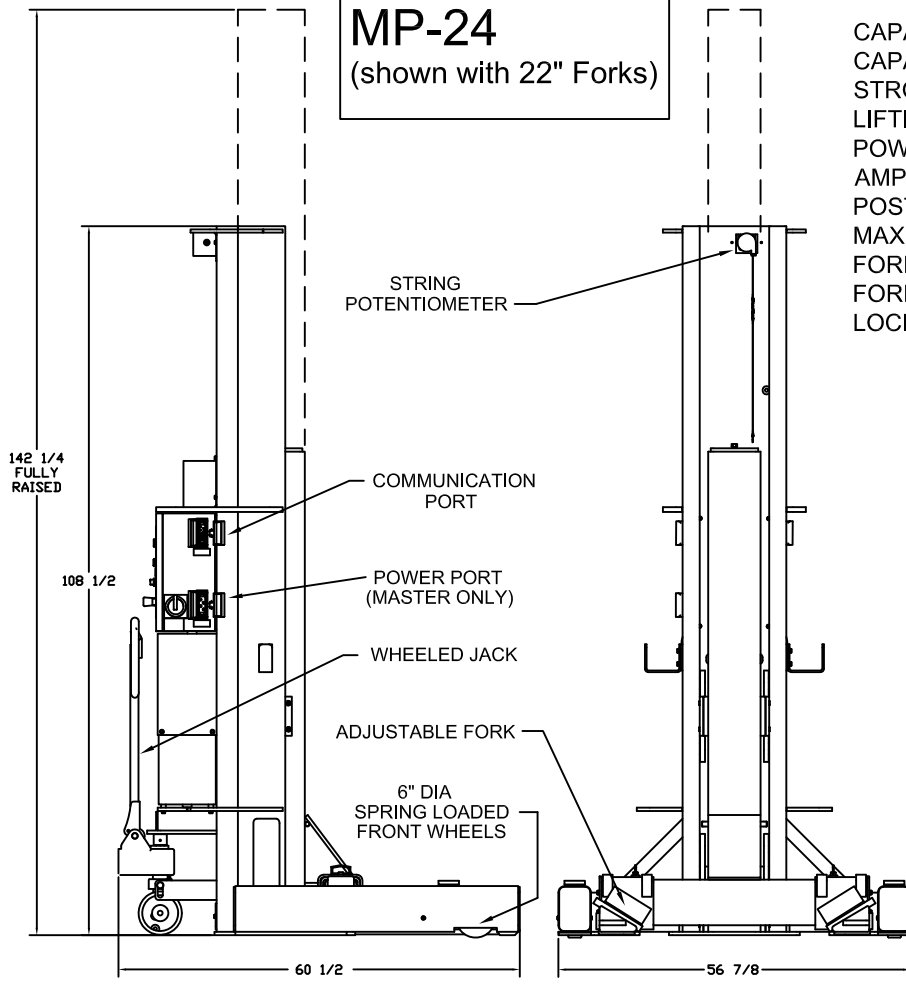
1. SELECT LIFT MODEL BELOW:

	POST NUMBER							
	1	2	3	4	5	6	7	8
FORK LENGTH ON POST (15" OR 22")								
POST CAPACITY								

### MP-24 SERIES POST SPECIFICATIONS:

- CAPACITY: 24,000 LB EACH (with 15" Forks)
- CAPACITY: 22,000 LB EACH (with 22" Forks)
- STROKE: 67 INCHES
- LIFTING SPEED: 135 SECONDS, APPROX
- POWER REQUIRED: 208-220 VAC, 3Ø STD
- AMPS: VARIABLE - SEE POST QTY
- POST QUANTITY: 2, 4, 6 OR 8
- MAX TIRE SIZE: 53 INCH DIA
- FORK LENGTH: 15 or 22 INCH
- FORK WIDTH: 10 5/8 INCH MIN, 28 1/8 MAX
- LOCK POSITIONS: 3" INTERVALS STARTING @ 12"

**MP-24**  
(shown with 22" Forks)



FORK  
DETAIL



1. WHAT DOES THE HEAVIEST VEHICLE WEIGH:

2. WHAT IS THE HEAVIEST SINGLE AXLE WEIGHT?  $\triangle D$   
(I.E., FORK LIFT COUNTERWEIGHTS, REAR END MOUNTED ENGINES)

NOTE: THIS WEIGHT CAN NOT EXCEED THE CAPACITY OF THE PAIR OF MP COLUMNS SELECTED/SPECIFIED.

2. VERIFY POWER SUPPLY BELOW:  
POWER SUPPLY: (CHECK ONE)

POWER SUPPLY:	FULL LOAD AMPS PER POST *
208-240 VAC, 3 PHASE, 60 HZ	10 AMP PER POST
440-480 VAC, 3 PHASE, 60 HZ	5 AMP PER POST
550-600 VAC, 3 PHASE, 60 HZ	4 AMP PER POST
208-240 VAC, 1 PHASE, 60 HZ	10 AMP PER POST
OTHER:	

STANDARD

\* RECOMMENDED CIRCUIT BREAKER SIZE IS 1.5 TO 2 TIMES THE SUM OF THE FULL LOAD AMPS FOR ALL THE POSTS IN THE SYSTEM.

3. DO VEHICLES HAVE LARGE DIAMETER TIRES REQUIRING WIDER FORKS? (CHECK ONE)

NO, USE STANDARD WIDTH FORKS ← STANDARD

YES, USE \_\_\_\_\_" WIDER FORKS

4. OPTIONS INCLUDES: (CHECK ALL THAT APPLY) - (SEE NOTE\*)

<input type="checkbox"/> #MJS-1830-18, JACK STAND, 18,000 LB, 18" TO 30"
<input type="checkbox"/> #MJS-3047-18, JACK STAND, 18,000 LB, 30" TO 47"
<input type="checkbox"/> #MJS-4775-18, JACK STAND, 18,000 LB, 47" TO 75"
<input type="checkbox"/> #MJS-1830-24, JACK STAND, 24,000 LB, 18" TO 30"
<input type="checkbox"/> #MJS-3047-24, JACK STAND, 24,000 LB, 30" TO 47"
<input type="checkbox"/> #MJS-4775-24, JACK STAND, 24,000 LB, 47" TO 75"
<input type="checkbox"/> #TD-1000-M, TIRE DOLLY, 1000 LB CAPACITY, HAND WINCH
<input type="checkbox"/> #TD-1000-H, TIRE DOLLY, 1000 LB CAPACITY, FOOT PUMP
<input type="checkbox"/> #TD-1000-A, TIRE DOLLY, 1000 LB CAPACITY, AIR/HYD
<input type="checkbox"/> CHASSIS CONTACT LIFTING BEAM (FOR 2 POSTS) MP-18 22" FORK ONLY
<input type="checkbox"/> FORK TRUCK ADAPTER KIT (FOR 2 POSTS) MP-18 22" FORK ONLY
<input type="checkbox"/> AUTO FRAME CONTACT ADAPTER KIT (FOR 2 POSTS) MP-18 22" FORK ONLY
<input type="checkbox"/> WING PLOW ADAPTERS (FOR 2 POSTS) MP-18 22" FORK ONLY
<input type="checkbox"/> HMMWV (FRONT TO REAR) ADAPTERS (FOR 2 POSTS) MP-18 22" FORK ONLY
<input type="checkbox"/> ADDITIONAL POWER CABLE (ONE STANDARD 25' LG CABLE INCLUDED PER LIFT)
<input type="checkbox"/> LONGER POWER CABLE ___' (ONE STANDARD 25' LG CABLE INCLUDED PER LIFT)
<input type="checkbox"/> ADDITIONAL COMMUNICATION CABLE (ONE SET OF 30' LG CABLES INCLUDED PER LIFT)
<input type="checkbox"/> LONGER COMMUNICATION CABLE ___' LG X ___ QTY
<input type="checkbox"/> ADDITIONAL DUMMY PLUG SET (ONLY ONE SET INCLUDED PER LIFT)
<input type="checkbox"/> HAND PENDANT CONTROL WITH 25' CORD (NON-ALCTV)
<input type="checkbox"/> HAND PENDANT CONTROL (CL I, DIV 2) WITH 25' CORD (ALCTV CERTIFIED)
<input type="checkbox"/> OTHER:
<input type="checkbox"/> OTHER:

\* NOTE: SOME OPTIONS ARE NOT COMPATIBLE, CONSULT MOHAWK.

5. PROPOSED/REQUESTED DELIVERY DATE: \_\_\_/\_\_\_/\_\_\_

REV.	DESCRIPTION	DATE	BY	APP'D.
$\triangle D$	CHANGED WORDING OF QUESTION 2, ADDED NOTE, CHANGED LEG DIMENSIONS.	07/13	G.GORE	
CUSTOMER NAME:				
CONTACT:				
PHONE NUMBER:				

6. IS THIS FOR A CONSTRUCTION PROJECT:  YES  NO  
IF NO, CAN THE LIFT SHIP AT ANYTIME?  YES  NO  
IF YES, WHEN SHOULD MOHAWK VERIFY PRODUCTION TIME?  
DATE: \_\_\_/\_\_\_/\_\_\_  
CONTACT: \_\_\_\_\_  
TEL: \_\_\_\_\_

7. THIS DRAWING HAS BEEN REVIEWED AND FOUND TO BE ACCEPTABLE TO ALL CUSTOMER'S SPECIFICATIONS INDICATED:

MOHAWK REPRESENTATIVE \_\_\_\_\_ DATE \_\_\_\_\_

OWNER, GENERAL CONTRACTOR AND/OR ARCHITECT \_\_\_\_\_ DATE \_\_\_\_\_

8. FINAL ELECTRICAL CONNECTION TO LOCAL/NATIONAL CODE IS THE RESPONSIBILITY OF THE ELECTRICAL CONTRACTOR. MORE THAN ONE POINT OF CONNECTION MAY BE REQUIRED. DISCONNECT SWITCHES, MAIN FUSES, AND MAIN POWER LEADS, ETC, ARE NOT PROVIDED BY MOHAWK RESOURCES LTD.

9. AFTER ALL SPECIFICATIONS HAVE BEEN SELECTED AND APPROVED BY CUSTOMER (SIGNED), MAKE COPY FOR CUSTOMER AND RETURN SIGNED FORM TO MOHAWK AT ADDRESS OR FAX BELOW.

10. ARE THESE COLUMNS BEING ADDED TO AN EXISTING SET OF MOBILE COLUMNS ?

YES  NO

IF YES, PLEASE LIST MODEL NUMBERS AND SERIAL NUMBERS

MODEL #	SERIAL #



MOHAWK RESOURCES LTD.  
65 VROOMAN AVENUE  
P.O. BOX 110  
AMSTERDAM, NY 12010  
PHN: 1-800-833-2006  
FAX: 1-518-842-1289  
www.mohawkklifts.com

MOHAWK MP-24-SERIES

FOR SO#: \_\_\_\_\_

SCALE n/a	DRAWN RV	MOHAWK RESOURCES LTD.		
CHECKED	APPROVED	TITLE MP-24 Series Data Verification		
DATE 11/05	WEIGHT n/a LB.	FROM n/a	DRAWING NUMBER ZZ958-03	$\triangle D$